

# Chopin

Dainelli Studio  
2026



Decorative mirror system composed of 3 modules with different designs, created to be combined and realize variable graphic compositions on the wall.

Available modules:

A – Mirrored module, available in 6mm bronze or extralight mirror.

B – Mirrored module, available in 6mm bronze or extralight mirror with an overlay of an 4mm Antique 1 rounded mirror.

C – Mirrored module, available in 6mm bronze or extralight mirror with an overlay of an 4mmAntique 1 rectangular mirror.

Each module can be installed individually or in combination with the others, allowing customizable decorative configurations.

## Cm (L x P x H)

A | 49,8 x 49,8 x 2,5

B | 49,8 x 49,8 x 4

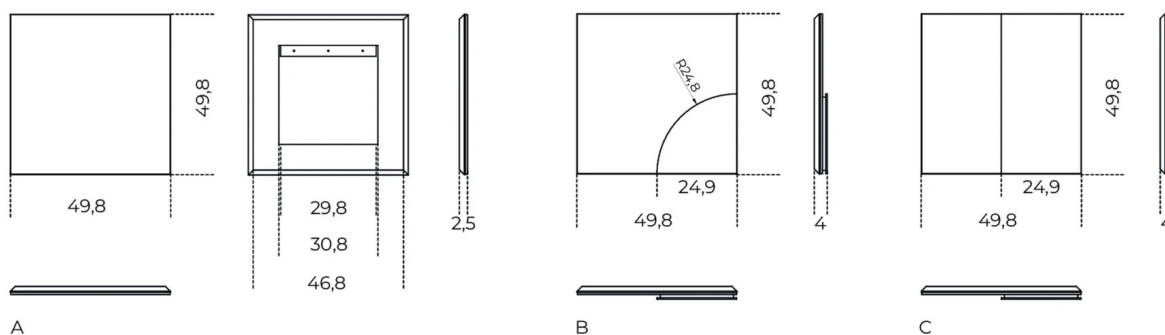
C | 49,8 x 49,8 x 4

## Inches (L x P x H)

A | 19¾ x 19¾ x 1

B | 19¾ x 19¾ x 1¾

C | 19¾ x 19¾ x 1¾

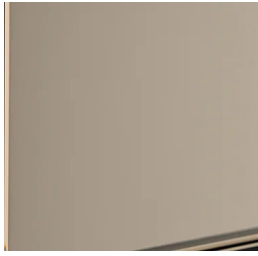


# Finishes

## Glass



"Antique 1" mirror



Bronze mirror



Extralight mirror