

---

# Half-Pipe

---

Francesco Meda & David Lopez Quincoces  
2026



Armchair made of recycled glass powder "bonbon glass" available in the colors "ciliegia" or "menta-glaciale". Also available version made of travertine powder. Satin nickel metal details. Upon request, a seat cushion in non-deformable foam polyurethane covered by leather fard as per samples. Not removable cover.

**Cm (L x P x H)**

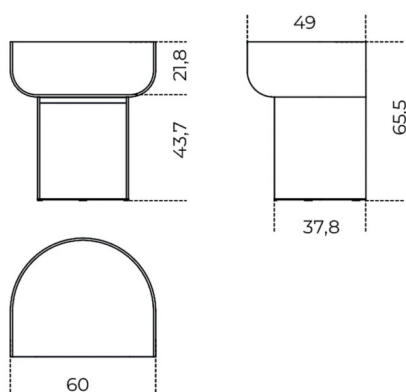
60 x 49 x 65,5

333 x 333 x 333

**Inches (L x P x H)**

23¾ x 19½ x 26

131¼ x 131¼ x 131¼



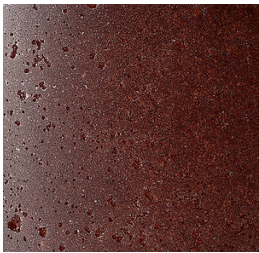
# Finishes

## Natural stone powder



Travertine powder

## Recycled glass powder



"Bonbon glass" ciliegia



"Bonbon glass" menta-glaciale