



Haumea -T

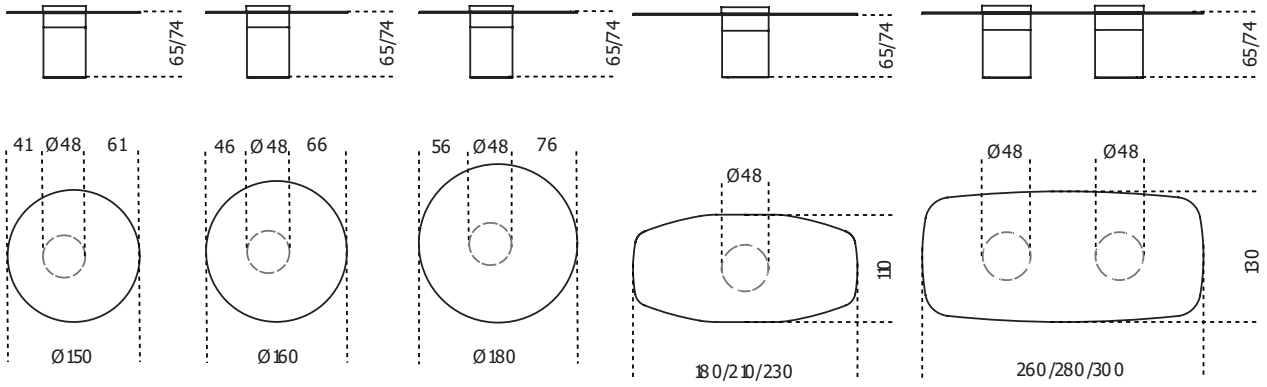
2016

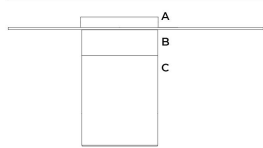
Table with 15mm transparent tempered glass top. Black or white open pore stained ash or rust lacquered wooden base. Central cylinder in bright brass-plated, hand burnished, copper-plated, black chromed, white lacquered or bright nickel-plated metal. Bowl available in bright brass, black chromed brass, bright nickel-plated brass or white lacquered brass. Removable tray. Available in the combinations as per our list below. 12mm smoked "grigio Italia" tempered glass top, on request. For glass top larger than 260cm, two bases are provided. Lounge version height cm 65, available on request.

Cm (L x W x H)	Inches (L x W x H)
Ø150 x 65	Ø59¼ x 25¾
Ø160 x 65	Ø63 x 25¾
Ø180 x 65	Ø71 x 25¾
Ø150 x 74	Ø59¼ x 29¼
Ø160 x 74	Ø63 x 29¼
Ø180 x 74	Ø71 x 29¼
180 x 110 x 65	71 x 43½ x 25¾
210 x 110 x 65	82¾ x 43½ x 25¾
230 x 110 x 65	90¾ x 43½ x 25¾
180 x 110 x 74	71 x 43½ x 29¼
210 x 110 x 74	82¾ x 43½ x 29¼
230 x 110 x 74	90¾ x 43½ x 29¼
260 x 130 x 65	102½ x 51¼ x 25¾
280 x 130 x 65	110¼ x 51¼ x 25¾
300 x 130 x 65	118¼ x 51¼ x 25¾
260 x 130 x 74	102½ x 51¼ x 29¼

280 x 130 x 74
300 x 130 x 74

110¼ x 51¼ x 29¼
118¼ x 51¼ x 29¼

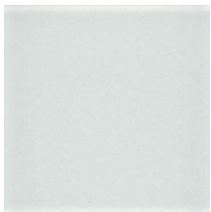


	A	B	C
	COMB. 1 Ottone lucido Bright brass	COMB. 1 Ottone brunito Burnished brass	COMB. 1 Frassino tinto nero poro aperto Black open pore stained ash
	COMB. 2 Ottone lucido Bright brass	COMB. 2 Ottone lucido Bright brass	COMB. 2 Ruggine Rust
	COMB. 3 Ottone cromato nero Black chromed brass	COMB. 3 Ottone cromato nero Black chromed brass	COMB. 3 Frassino tinto nero poro aperto Black open pore stained ash
	COMB. 4 Ottone cromato nero Black chromed brass	COMB. 4 Ottone ramato Coppered brass	COMB. 4 Ruggine Rust
	COMB. 5 Ottone cromato nero Black chromed brass	COMB. 5 Ottone brunito Burnished brass	COMB. 5 Ruggine Rust
	COMB. 6 Ottone cromato nero Black chromed brass	COMB. 6 Ottone brunito Burnished brass	COMB. 6 Frassino tinto nero poro aperto Black open pore stained ash
	COMB. 7 Ottone nichelato lucido Bright nickel-plated brass	COMB. 7 Metallo nichelato lucido Bright nickel-plated metal	COMB. 7 Bianco poro aperto White open pore
	COMB. 8 Ottone laccato bianco opaco Mat white lacquered brass	COMB. 8 Metallo laccato bianco lucido Glossy white lacquered metal	COMB. 8 Bianco poro aperto White open pore



Finishings

Glass

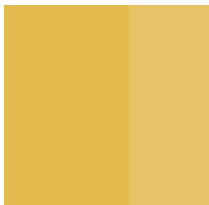


Transparent

Metal



Black chrome



Bright brass



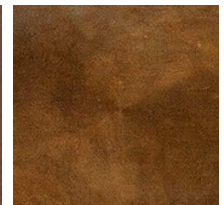
Bright nickel-plated brass



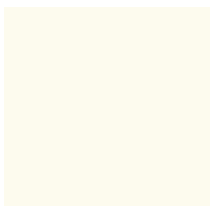
Bright nickel-plated metal



Coppered brass



Hand burnished brass



White lacquered brass



White lacquered metal

Wood



Black stained open pore ash



Rust



White open pore

