

Mirage

Studiopepe
2025



Coffee table with bright stainless steel top and legs handmade with 8mm extralight glass slats fused and arranged at different heights and with different sizes.

Metal parts in bright stainless steel.

As these are handcrafted products, the measurements may vary due to the fusion of the glass.

Cm (L x P x H)

46.5 x 46.5 x 52.5

100 x 100 x 42.5

120 x 120 x 42.5

140 x 140 x 42.5

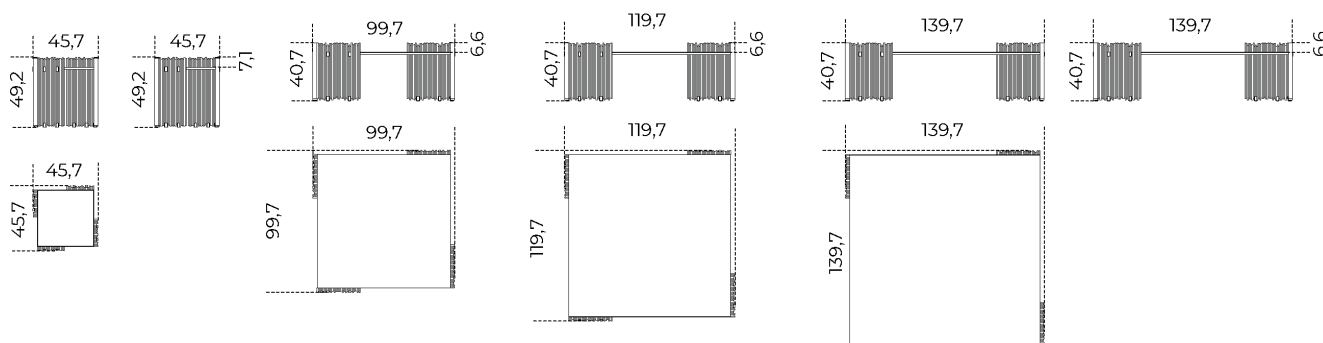
Inches (L x P x H)

18½ x 18½ x 20¾

39½ x 39½ x 16¾

47¼ x 47¼ x 16¾

55¼ x 55¼ x 16¾



Finishes

Glass



Extralight glass slats

Metal



Bright stainless steel