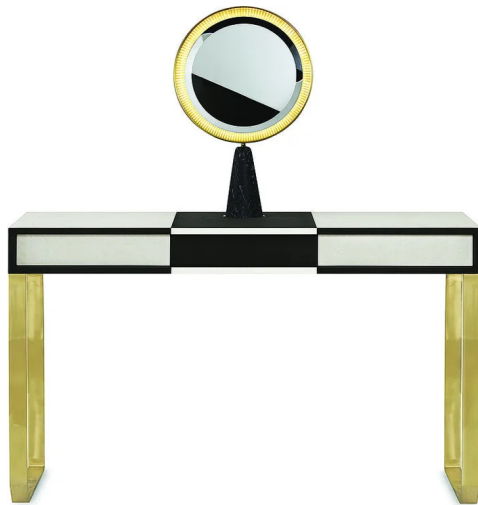

Selene

Pietro Russo
2016



Vanity desk in Taba Frisé white wood and Tanganika black wood. Push-pull side drawers with 90° rotating opening and front opening central drawer. Satin brass lacquered metal parts. 6mm bevelled extralight mirror. With LED light. Satin brass lacquered metal parts and honed mat Nero Marquinia marble base.

Cm (L x P x H)

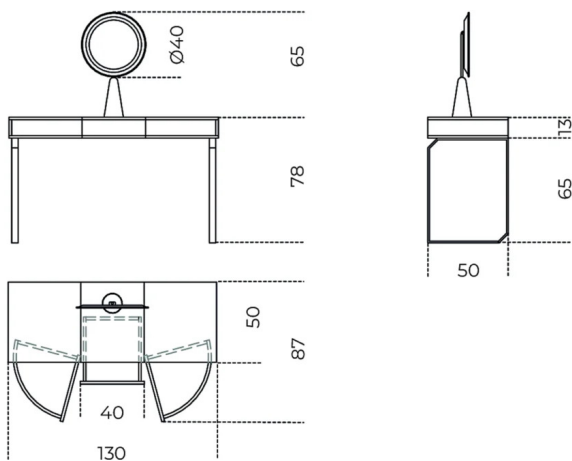
130 x 50 x 143

130 x 50 x 78

Inches (L x P x H)

51¼ x 19¾ x 56½

51¼ x 19¾ x 30¾



Finishes

Glass

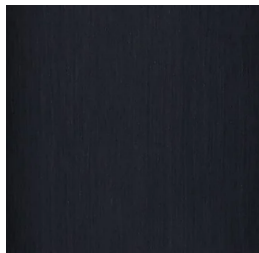


Extralight mirror

Wood



Tabà Frisè white



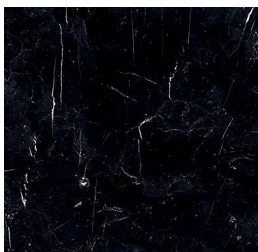
Tanganika black

Metal



Satin brass colour
lacquered metal

Marble



Nero Marquina