

Gallotti&Radice



Stami

2022

Desk and vanity desk with curved black open pore stained ash base and bright brass details. Wooden structure covered by leather or suede as per samples. Black open pore stained wooden opening top and internal compartment equipped with leather or suede pad coordinated with the external upholstery. Opening top with magnetic board (desk) or with mirror (vanity). Also available version with side drawers. Additional stitching is required for elements with leather upholstery.

Cm (L x W x H)

Scrivania / Desk

140 x 60 x 76

Vanity / Vanity desk

140 x 60 x 76

Porta-oggetti per vanity desk / Organiser for vanity desk

65 x 34 x 2

Inches (L x W x H)

Scrivania / Desk

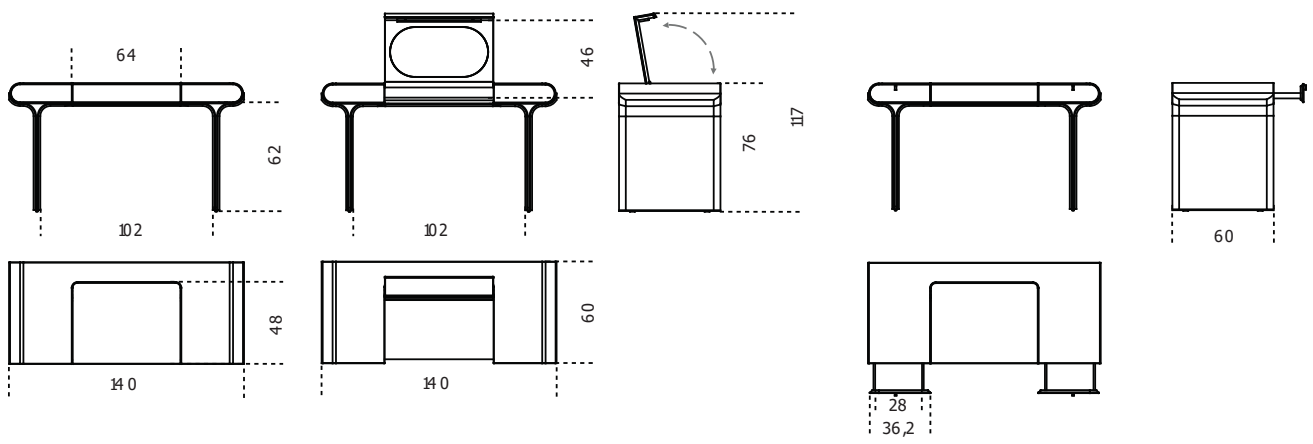
55¼ x 23¾ x 30

Vanity / Vanity desk

55¼ x 23¾ x 30

Porta-oggetti per vanity desk / Organiser for vanity desk

25¾ x 13½ x 1



Versione con cassetti laterali
Version with side drawers



Finishings

Metal



Bright brass

Wood



Black stained
open pore ash

Leather Cat.L1



Fard anthracite
2379



Fard loden green
2357



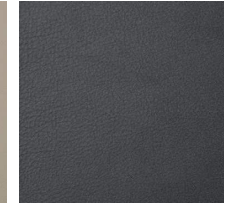
Fard milk 2300



Fard silt 2324



Fard silver 2302



Fard slate 2386



Suede grey 020



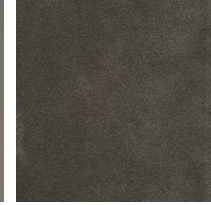
Suede grey 058



Suede grey 074



Suede sand 006



Suede sand 012

Leather Cat.L2



Leather black
001



Leather clay 008



Leather milk 010



Leather rose
powder 012



Leather tobacco
013



Nabuk black 2138



Nabuk blue 2117



Nabuk cement
2115



Nabuk rose
powder 2104